

# SpiralTrac™ for GOULDS® 5500

## Severe Duty Slurry Pump

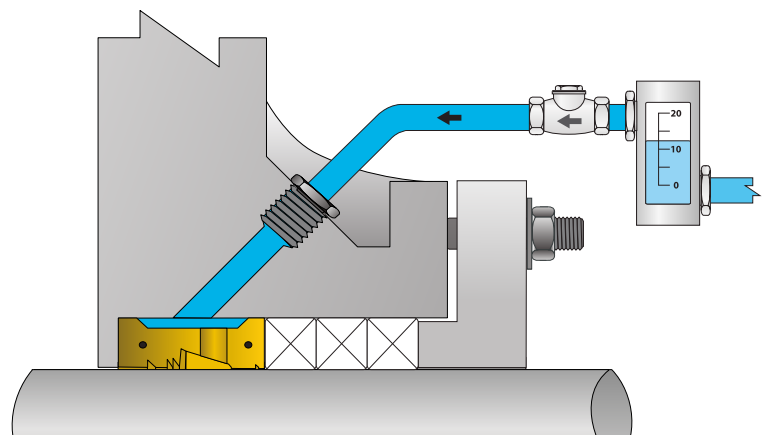


Packing Version SpiralTrac, specifically designed for GOULDS 5500 Slurry Pumps.

### Benefits

- Reduced flush rate with the use of a flow controller
- Drastically increased MTBR
- Reduced shaft or sleeve wear
- Fewer gland adjustments
- Controlled drip rate leakage

GOULDS 5500	SpiralTrac part #	Packing rings required
<b>B2</b>	PI3750RS4755(XXX)0L2.000	3
<b>B2 HP</b>	PI3750RS4755(XXX)0L2.000	5
<b>B3</b>	PI5000RS6255(XXX)0L2.500	3
<b>B3 HP</b>	PI5000RS6255(XXX)0L2.500	5
<b>B4</b>	PI6250RS7755(XXX)0L3.000	3
<b>B4 12x14-38</b>	PI6250RS7755(XXX)0L3.000	3
<b>B4 HP</b>	PI6250RS7755(XXX)0L3.000	5
<b>B5</b>	PI8000RS9505(XXX)0L3.250	3



Split Packing Version SpiralTrac

Please replace "XXX" with material ID for complete part # when ordering.

### Common Materials

Material ID	Material	Application
<b>ESC</b>	Carbon graphite PTFE	Engineered Polymer used in a wide variety of applications.
<b>316</b>	316 stainless steel	Used in corrosive services.
<b>416</b>	416 stainless steel	Ideal for erosive services where chemical compatibility is not an issue.
<b>BRZ</b>	660 bearing grade bronze	Good wear properties, absorbs moderate shaft deflection.
<b>174*</b>	17-4PH stainless steel	Ultimate wear resistance for tough slurry services.

\*heat treating option is available for 17-4PH stainless steel material.  
Find all our materials on [enviroseal.ca](http://enviroseal.ca) or email us at [support@enviroseal.ca](mailto:support@enviroseal.ca)

### Notes

SpiralTrac options to be used with mechanical seal are available, please reach out to [support@enviroseal.ca](mailto:support@enviroseal.ca) with application details.

EnviroSeal always recommends flow controls when installing Packing Version SpiralTrac.

SpiralTrac is axially split for ease of installation without pump disassembly. If solid device is required, please contact EnviroSeal.

Find existing GOULDS successes in our literature section at [enviroseal.ca](http://enviroseal.ca)

For the ultimate sealing solution, order as a **Chesterton SuperSet** with high quality Chesterton packing.



For ordering, please contact your local A.W. Chesterton representative or email [support@enviroseal.ca](mailto:support@enviroseal.ca). Proudly distributed Worldwide by:



EnviroSeal Engineering Products Ltd.  
2456 Rocky Lake Drive • Waverley • Nova Scotia • B2R 1R6 • CANADA  
Tel: (902) 861-3464 Fax: (902) 861-3522  
[info@enviroseal.ca](mailto:info@enviroseal.ca) • [enviroseal.ca](http://enviroseal.ca)

© 2024 EnviroSeal Engineering Products Ltd.  
SpiralTrac™ is a trademark of EnviroSeal Engineering Products Ltd.  
GOULDS is a trademark and/or registered trademark of ITT Inc.

